



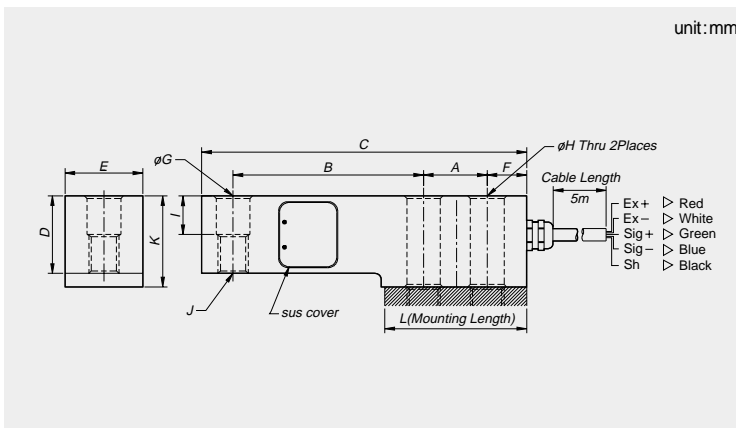
FEATURES

- Protection class IP66
- Integral mounting space

SPECIFICATIONS

Max. capacity	kgf	150,250,500kgf, 1tf, 2tf, 3tf, 5tf, 10tf
Rated output	mV/V	3.0 ± 0.0075
Zero balance	mV/V	0 ± 0.03
Combined error	%	0.03
Repeatability	%	0.01
Creep for 30min.	%	0.03
Temperature effect on		
Zero Value	%/10°C	0.028
Output value	%/10°C	0.015
Excitation		
Recommended	V	10
Maximum	V	15
Resistance		
Input	Ω	350 ± 3.5
Output	Ω	350 ± 3.5
Insulation	MΩ	> 2,000
Compensated temperature range	°C	-10 to +40
Operating temperature range	°C	-30 to +80

DIMENSIONS



Material

Nickel plated steel

Mounting

Capacity	Hexagon head-Bolt	Tightening torque
150kgf - 2tf	M12 × 1.75(10.9)	100Nm
3tf - 5tf	M18 × 2.0(10.9)	350Nm
10tf	M24 × 2.0(10.9)	860Nm

Cable

Braided shield 4-wire round cable with Urethane-jacket

Model	Capacity	A	B	C	D	E	F	G	H	I	J	K	L
BSB-150L,500L	150, 500kgf	25.4	76.2	130	32	32	15.8	13.5	13.5	16.0	M12 × 1.75	38	57
BSB-1	1tf												
BSB-2	2tf												
BSB-3	3tf	38.1	95.3	171.5	38	38	19	20	20	19	M18 × 1.5	44.5	76
BSB-5	5tf												
BSB-10	10tf	50.8	147.1	223.3	50.8	50.8	26.4	26.2	26.2	25.4	M24 × 2.0	57.2	101